

Pipe & Manhole Handling



The Caldwell Group • 800-628-4263 • www.caldwellinc.com

Rig-Master® Section
2011-2013 Master Catalog

Model PLT - Pipe Tongs



Adjustable

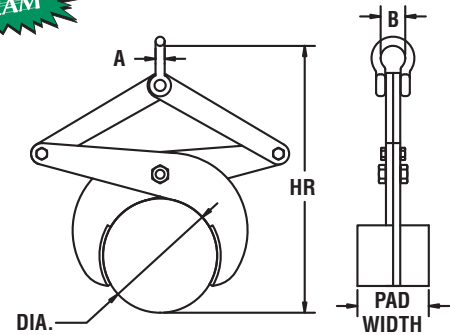
Fixed

PRODUCT FEATURES:

- Pipe Tongs are made of sturdy construction to handle pipe, round bars and cast pipe.
- Tongs are provided with steel curved gripping arms.
- Optional replaceable polyurethane pads available to protect smooth or polished surfaces.
- Load must be balanced and controlled when lifting.
- Use in pairs with a lifting/spreader beam for added stability.
- Complies with ASME standards.

SPECIFICATIONS - Fixed Diameter

Model Number	Rated Capacity (lbs.)	Dia. (in.)	HR Headroom (in.)	A (in.)	B (in.)	Weight (lbs.)
108-1/2-5	1000	5	15.50	0.5	1.31	17
108-1-8	2000	8	23.50	0.5	1.31	25



SPECIFICATIONS - Adjustable Diameter

Model Number	Rated Capacity (lbs.)	Bare Steel Range Min.-Max. (in.)	Urethane Pad Range Min.-Max. (in.)	HR Headroom Min.-Max. (in.)	Pad Width (in.)	A (in.)	B (in.)	Wt. (lbs.)
108-1/2-2/4	1000	2 - 4	1.25 - 3.25	13.46 - 11.78	2.25	0.5	1.31	7
108-1-4/8	2000	4 - 8	3.25 - 7.25	21.06 - 18.70	5	0.5	1.31	18
108-1-7/12	2000	7 - 12	6.25 - 11.25	39.71 - 34.40	6	0.88	2.28	73
108-1-10/15	2000	10 - 15	9.25 - 14.25	37 - 33.63	6	0.75	2	50

Operation

