

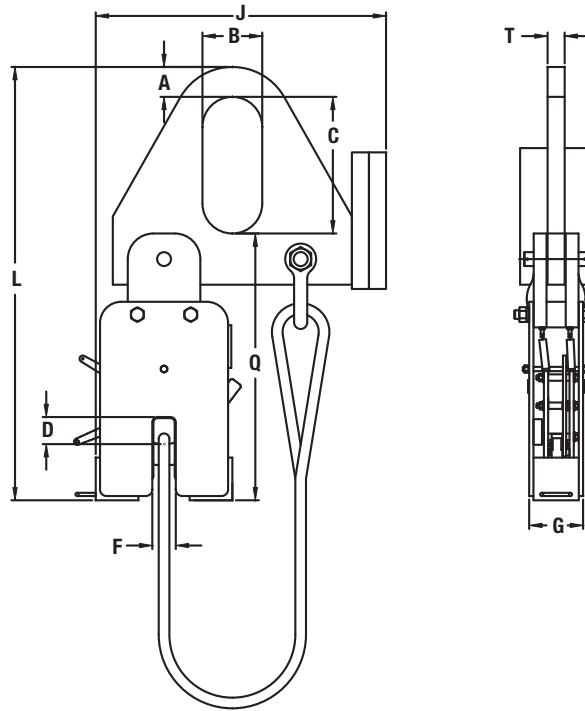
Extended Capacity - Basket Hitch

Model RR-EC - Extended Capacity Rig-Release® - Basket Hitch



PRODUCT FEATURES:

- For basket hitch only.
- Designed for rugged outdoor use.
- 20 and 30 ton capacity manual release units.
- 10 ton capacity radio controlled release units.
- Easy to use - simply rig, lift, set and release.
- Oversized bail for easy mounting on crane hook.
- Counter balanced to hang level.
- Designed and manufactured to ASME standards.



SPECIFICATIONS - Extended Capacity Manual Release

Model Number	Rated Cap. (tons)	Dimensions (inches)						Bail Dimensions (inches)				Weight (lbs.)
		D	F	G	J	L	Q	A	B	C	T	
RR-20-EC	20	2.25	2.12	6.30	30.81	38.00	26.50	2.50	5.00	9.00	1.50	425
RR-30-EC	30	3.00	2.75	6.30	34.00	50.75	31.25	3.50	7.00	16.00	2.00	675

SPECIFICATIONS - Extended Capacity Radio Controlled Release

Model Number	Rated Cap. (tons)	Dimensions (inches)						Bail Dimensions (inches)				Weight (lbs.)
		D	F	G	J	L	Q	A	B	C	T	
RR-10R-EC	10	1.83	1.50	5.00	30.31	31.00	22.00	2.00	4.00	7.00	1.25	275

⚠ WARNING

Rig-Release® unit must always be used with lifting bail.
 Rated capacity can NOT be solely supported from lift arm or hook.
 The basket sling MUST be used to lift the rated capacity.

