

# Rig-Release<sup>®</sup> Radio Releasing Hook



The Caldwell Group • 800-628-4263 • www.caldwellinc.com

Rig-Release<sup>®</sup> Section  
2011-2013 Master Catalog

## Model RR-R - Radio Controlled Release Unit

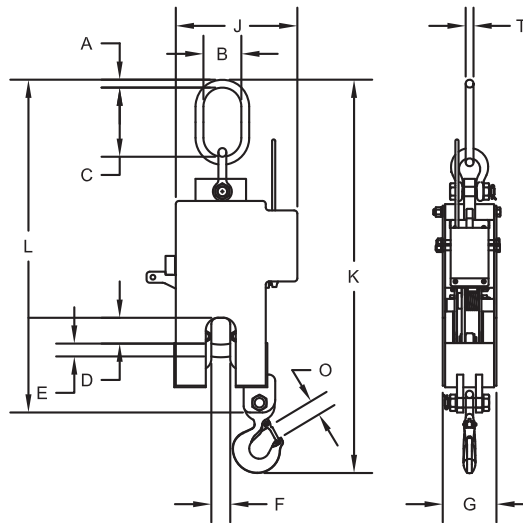


### PRODUCT FEATURES:

- Allows rigging to be released from a safe distance with the push of a button.
- Designed for rugged outdoor use.
- Easy to use - simply rig, lift, set and release.
- LOCK & CAPTURE feature engages with very little load weight (see Minimum Load in chart below).
- Includes two 12 VDC 0.8 Amp Hr. sealed maintenance free lead acid batteries (rechargeable).
- Includes one charger, and one vehicle adapter for standard 12 VDC vehicle outlets.
- Battery life lasts through an 8 hour shift, depending on frequency of operation.
- Minimum required cycle time is 1 - 2 minutes between releases.
- Oversized bail for easy mounting on crane hook, 5 ton unit provided with fixed bail.
- Designed and manufactured to ASME standards.



2-1/2 Ton Unit Shown



Patent No. 7,380,849

### SPECIFICATIONS - Radio Release

Model Number	Rated Cap. (tons)	Dimensions (inches)								Bail Dimensions (inches)				Weight (lbs.)
		D	E	F	G	J	K	L	O	A	B	C	T	
RR-2.5R	2.5	1.75	1.00	1.50	4.25	9.56	31.15	26.88	1.09	0.63	3.00	6.00	0.63	50
RR-5R	5	1.83	1.50	1.50	5.00	11.13	36.40	30.75	1.36	2.00	4.00	7.00	1.25	115

NOTE: For larger capacities see page E.21.

### SPECIFICATIONS

Model Number	Rated Capacity (tons)	Rigging				
		*Minimum Load (lbs.)		Recommended Lifting Slings	**Maximum Allowable Rigging Weight (lbs.)	
		Basket	Choker	Rope Dia. (inches)	Basket	Choker
RR-2.5R	2.5	80	40	5/8	28	14
RR-5R	5	250	125	7/8	60	30



\*If minimum load weight is not met, safety mechanism will not engage into the LOCK & CAPTURE position.

\*\*If maximum allowable rigging weight is exceeded, unit will remain in the LOCK & CAPTURE position and can not be released.

# Rig-Release® Radio Releasing Hook

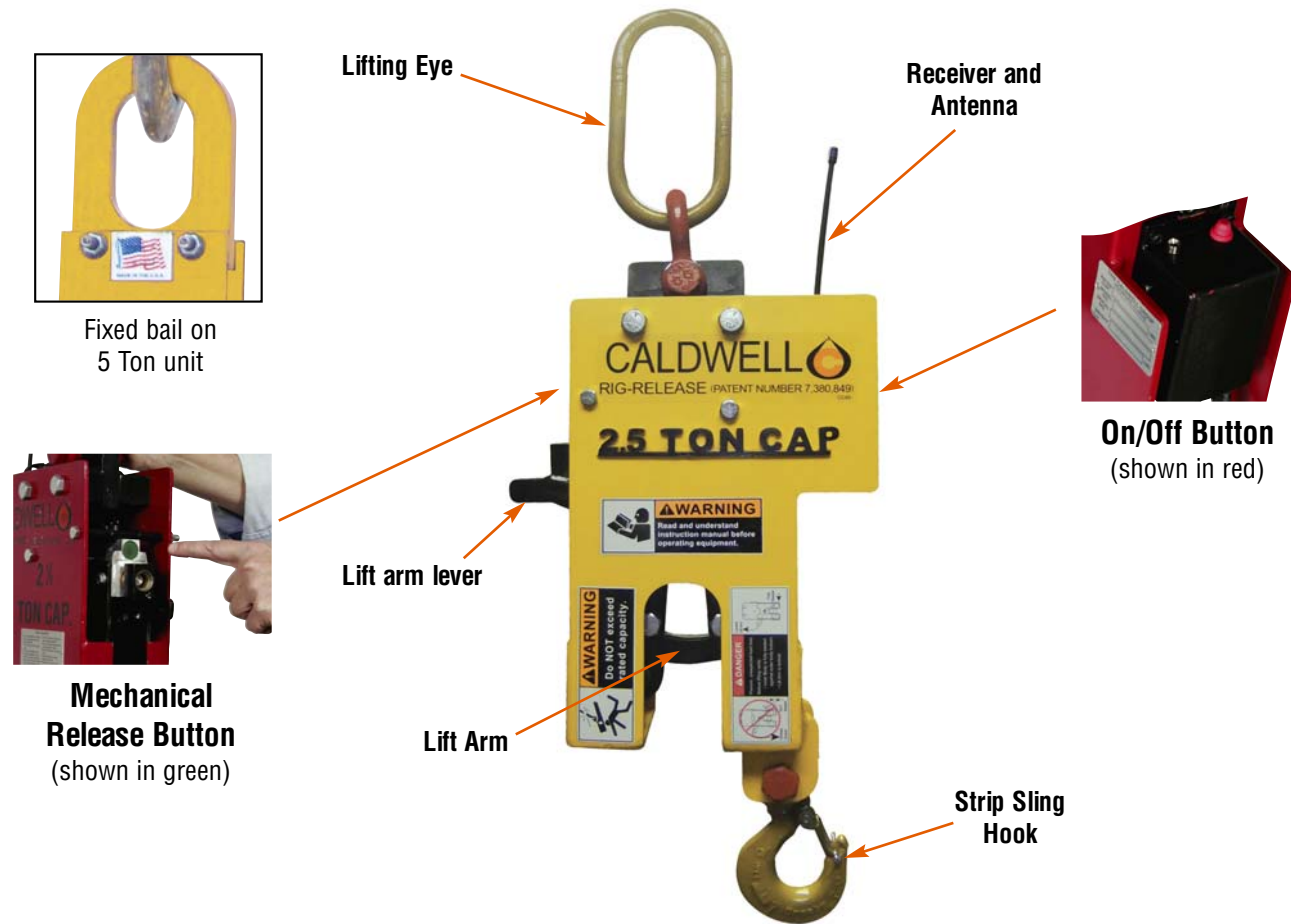


The Caldwell Group • 800-628-4263 • www.caldwellinc.com

The Rig-Release® Remote Releasing Hook with Radio Remote Control will allow you to set the loads - and then - quickly, efficiently and safely release the sling from a safe distance. The Radio Remote feature puts the sling control at your finger tips. The Rig-Release® simply hooks to your crane or spreader beam. Attach the lifting sling(s) directly to the Rig-Release® and rig the load. Once the load is set, and the load line is slack, activate the Radio Remote Control to release the sling(s). No need for a man lift on site or to have a worker crawl out (or up) just to disconnect sling(s). It's all done from a safe distance, with the control at the tip of your fingers.

## SAFETY FEATURES:

- Radio activated solenoid is mechanically blocked when the unit is under load, preventing load release.
- Two step, two button activation (release) sequence prevents inadvertent release signal.
- Transmitter times out in 10 seconds, which prevents inadvertent release of rigging.
- The built-in safety features of the Rig-Release® allow multiple hooks to be used on the same job site.
- Range up to 400 feet, with clear line of site.



## Radio Remote Rig-Release® Hooks Come With These Accessories As Standard Equipment



Vehicle Adapter



Two Rechargeable Batteries



Transmitter (Radio Remote Control)



Charger

Rig-Release® Section  
2011-2013 Master Catalog